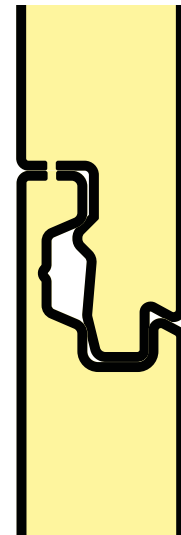
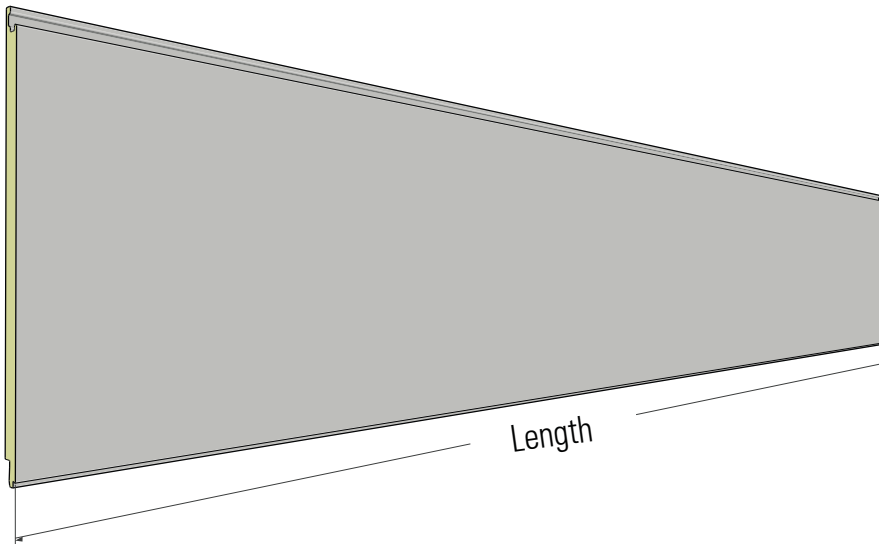
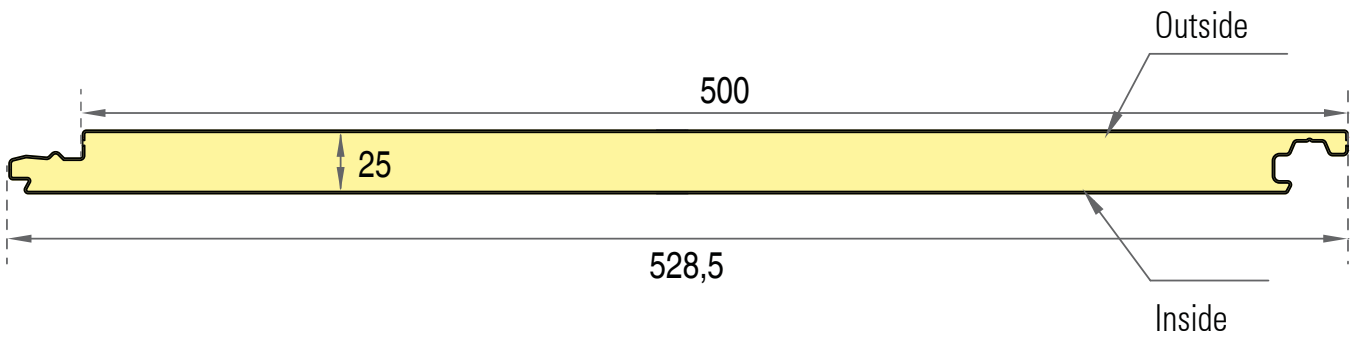




The graphic features the word "Easy" in a blue, cursive-style font with a drop shadow, positioned above the word "WAND". "WAND" is rendered in a bold, white, sans-serif font with a drop shadow, set against a background of three blue, 3D rectangular blocks that resemble folded paper or a banner.

EasyWand

TECHNICAL DATA SHEET



Features:

- Flat, completely smooth panel
- Concealed fixing, top quality finish
- Panel with internal insulating core (polyurethane foam)
- "Panel edging" of the side closing
- Wide range of accessories
- Wide range of colours

Heat transmission and reaction to fire

- indicative heat transmission $U=0,88$ W/mk
- reaction to fire as per EN13823: B s2 d0

PRODUCTION

- Prepainted steel
- Smooth pre-painted aluminium
- Stainless steel
- Weathering steels

PANEL THICKNESS

- 25 MM

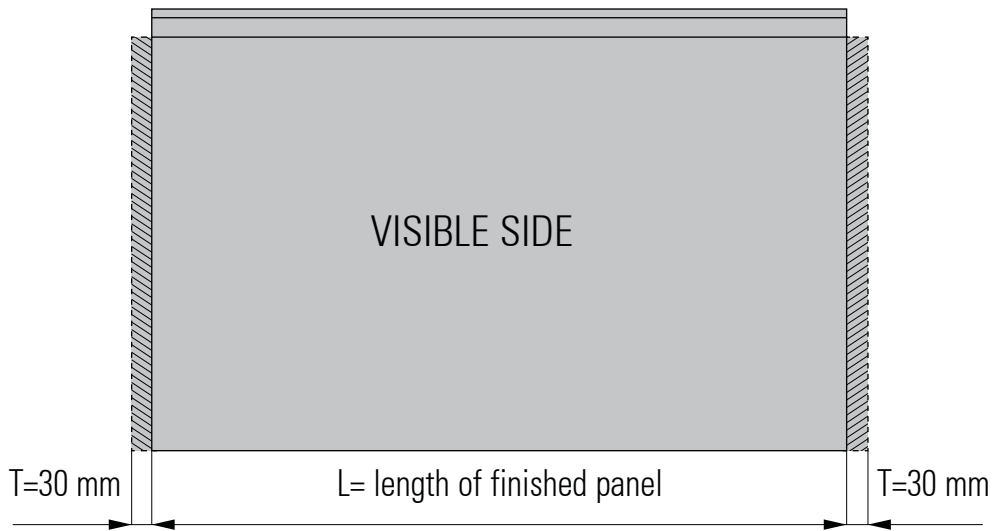
STANDARD LENGTHS

- 2500 - 4000 - 6000 mm

EasyWand

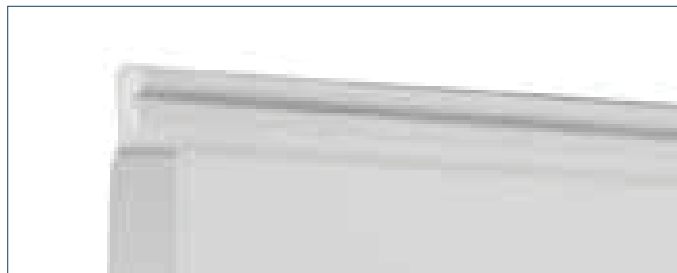
Prepared for "Panel Edging"

Innovative system that automatically closes the side of the panel.



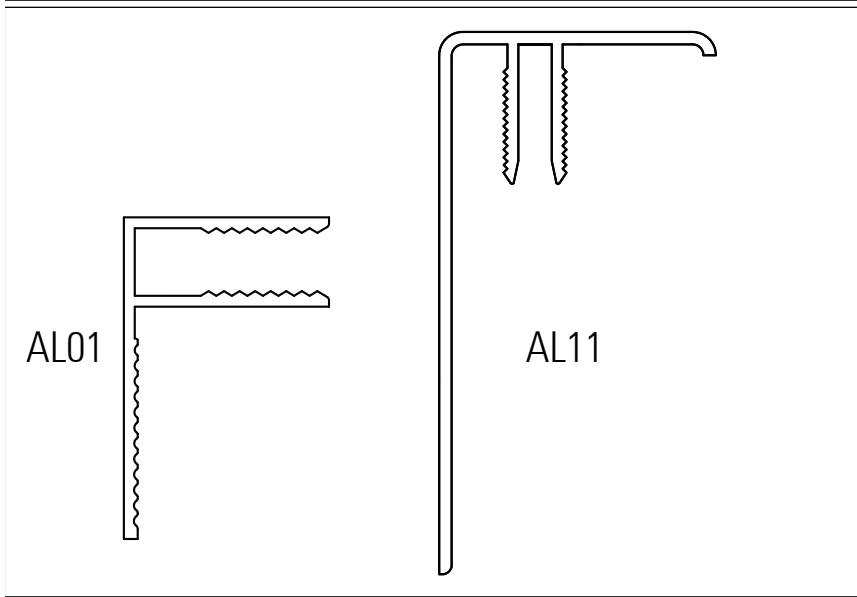
$T =$ the one size 30 mm

Tooling only possible on aluminium

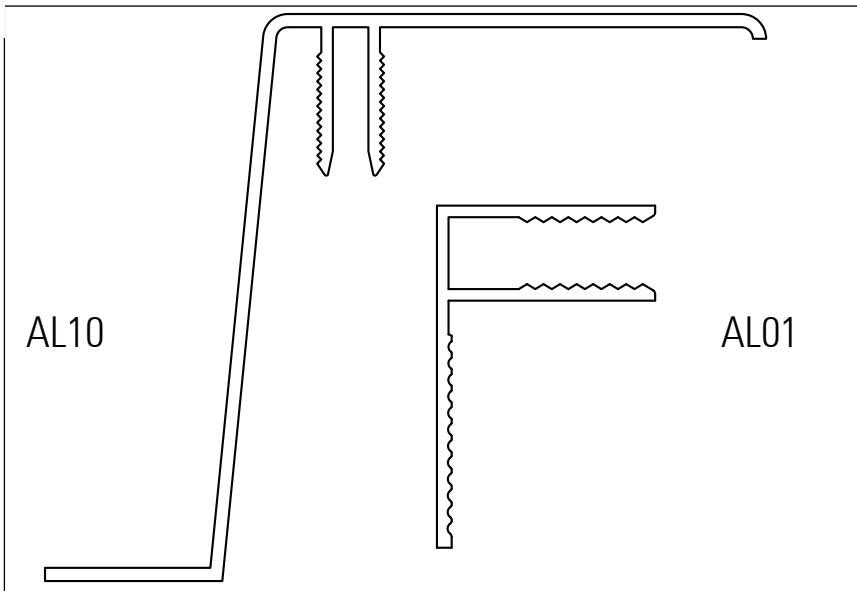


EasyWand

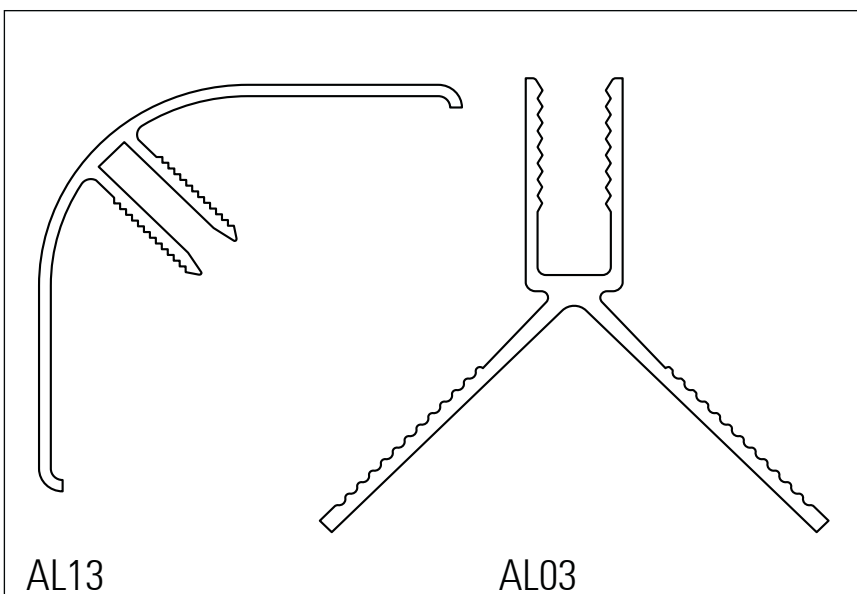
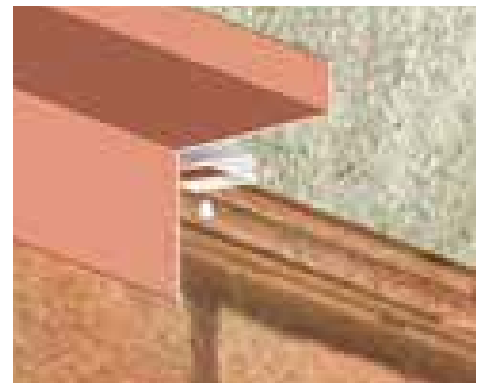
ACCESSORIES



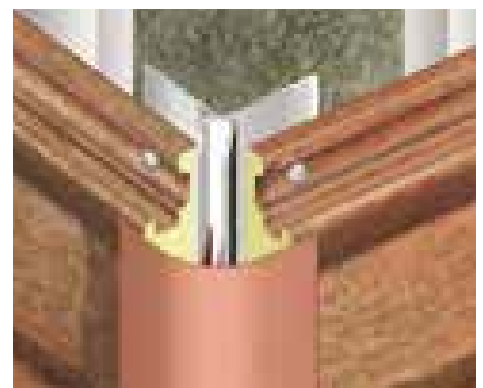
Side closure



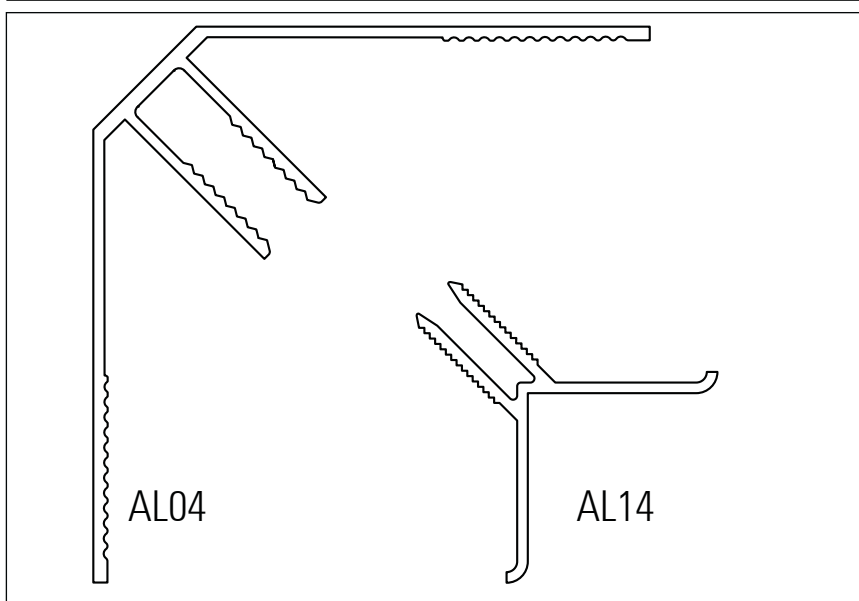
Upper closure



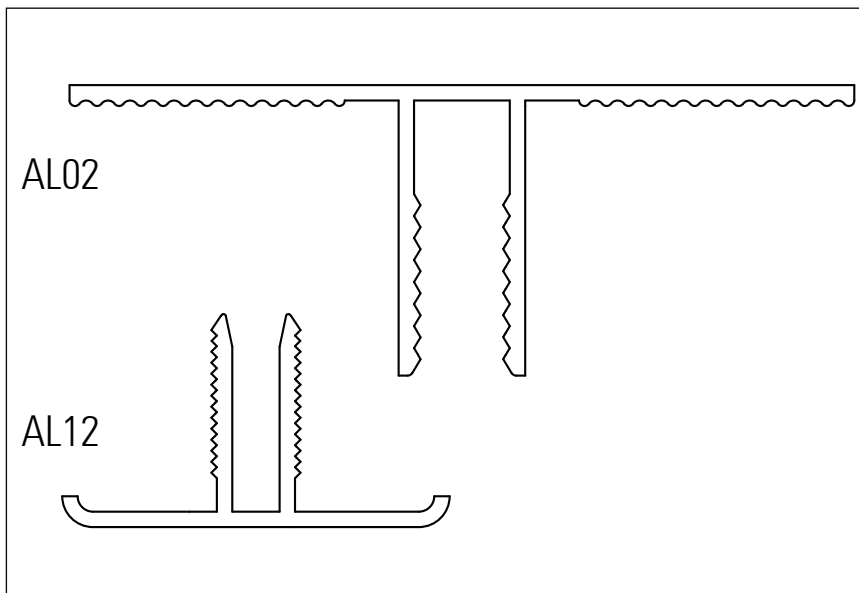
Outer corner



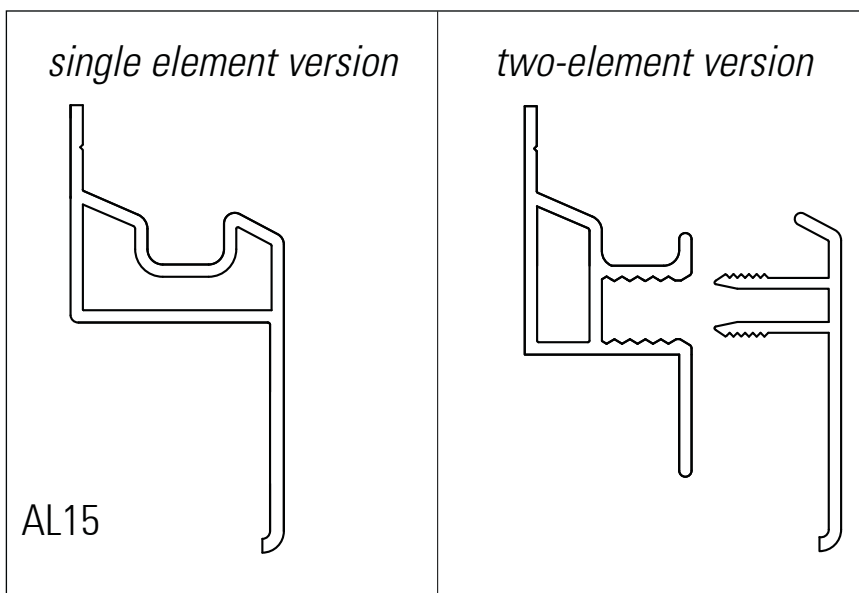
EasyWand



Inner corner



Joint



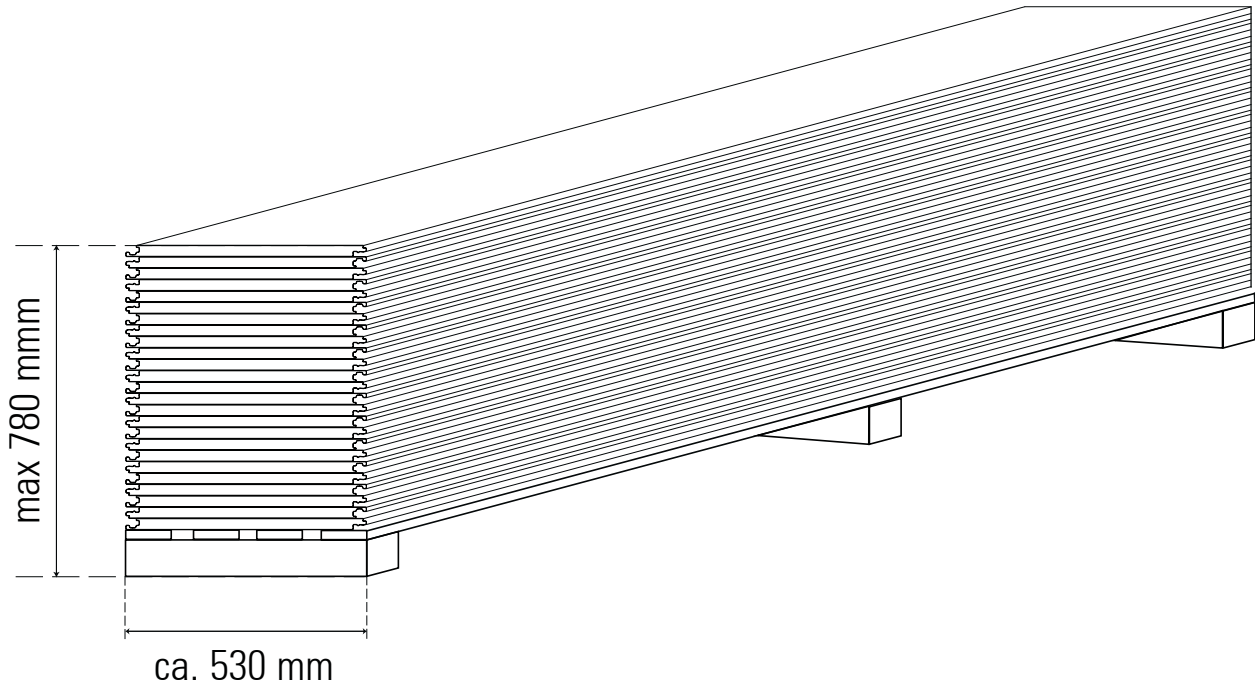
Lower closure



EasyWand

TRANSPORT AND STORAGE

STORAGE



Minimum length 2000 mm	Maximum length 6000 mm (unloaded by hand)
Maximum pack weight upon request	Pallet support Strip + scrap panel + tank
Packaging polyethylene + yellow advertising film on the heads	
Maximum number of sheets per pack 25 sheets	